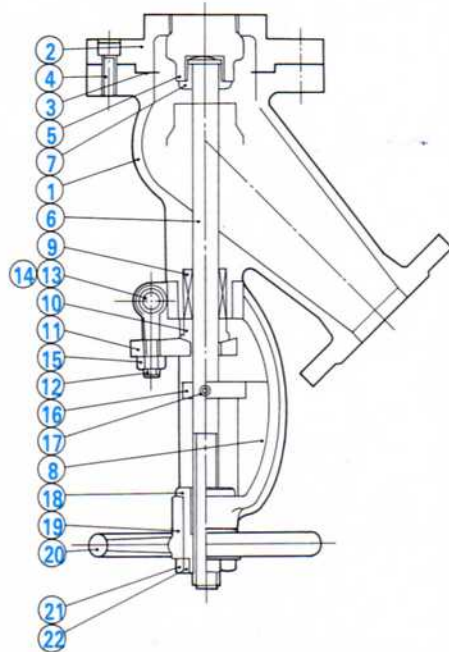


MANUAL HANDLE OPERATED DISC OPEN INTO VALVE, TANK VALVE

No. 135

| No. | Parts Name | Material | No. | Parts Name | Material |
|-----|---------------|----------|-----|--------------|----------|
| 1 | Body | SCS13 | 13 | Bolt Pin | SUS304 |
| 2 | Flange Bonnet | SCS13 | 14 | Spring Pin | SUS304 |
| 3 | Gasket | Teflon | 15 | Eye Bolt Nut | SUS304 |
| 4 | Bolt | SUS304 | 16 | Indicator | SUS304 |
| 5 | Disc | SUS304 | 17 | Spring Pin | SUS304 |
| 6 | Stem | SUS304 | 18 | Slip | Bronze |
| 7 | Disc Nut | SUS304 | 19 | Washer | Bronze |
| 8 | Yoke | SCS13 | 20 | Hand Wheel | FCD |
| 9 | Gland Packing | Teflon | 21 | Stem Nut | Bronze |
| 10 | Gland | SUS304 | 22 | Screw Pin | Bronze |
| 11 | Gland Flange | SCS13 | | | |
| 12 | Eye Bolt | SUS304 | | | |



| θ | SIZE | d(ND) | L | L1 | g1 | F | H | \angle | W |
|----------|---------|-------|-----|-----|-----|----|------|----------|-----|
| 45° | 1 × 2 | 25 | 160 | 56 | 60 | 35 | 350 | 25 | 160 |
| | 1½ × 2½ | 40 | 180 | 85 | 85 | 35 | 407 | 40 | 160 |
| | 2 × 4 | 50 | 200 | 80 | 120 | 35 | 432 | 55 | 180 |
| | 2½ × 5 | 65 | 220 | 90 | 140 | 40 | 485 | 60 | 180 |
| | 3 × 5 | 80 | 220 | 110 | 140 | 40 | 575 | 60 | 230 |
| | 4 × 6 | 100 | 240 | 130 | 165 | 40 | 600 | 80 | 250 |
| | 5 × 8 | 125 | 270 | 140 | 200 | 40 | 645 | 90 | 300 |
| | 6 × 8 | 150 | 290 | 150 | 215 | 40 | 885 | 95 | 355 |
| | 8 × 10 | 200 | 330 | 165 | 275 | 50 | 950 | 100 | 400 |
| | 10 × 12 | 250 | 360 | 180 | 325 | 50 | 1050 | 130 | 500 |

